

DLX1224-4CC350 control unit

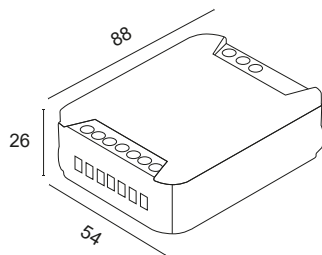
DLX1224-4CC500 control unit

Four-channel control unit with ON/OFF and DIMMER function for 350mA or 500mA constant voltage RGB LEDs. Control system via two normally open buttons. Possibility to expand the system with the use of DLA1224-4CC350 or DLA1224-4CC500 amplifiers. Can be installed in unshielded indoor environments. Memory function possible.

Power supply voltage: $V_{in} = 24Vdc$

Output current: 350mA - 500mA

Power rating: 33.6W@350mA Total - 48W@500mA Total



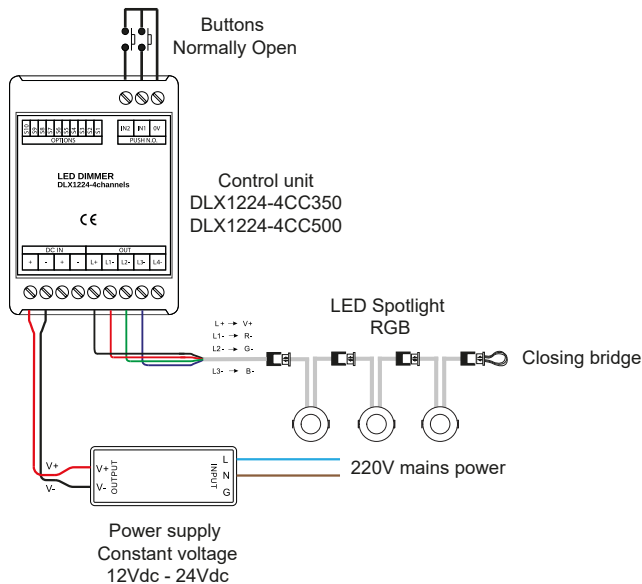
DLX1224-4CC350
DLX1224-4CC500



DLA1224-4CC350
DLA1224-4CC500



EXAMPLE OF RGB LED SPOTLIGHT CONTROL



EXAMPLE OF RGB LED SPOTLIGHT CONTROL WITH AMPLIFIER

